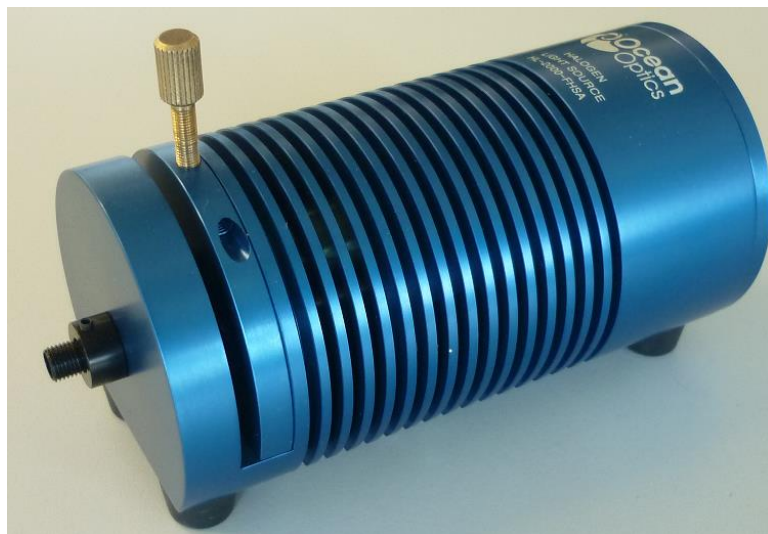




## **Halogen Light Source with Attenuator and TTL-Shutter**

---

### **Installation and Operation Manual**



For Products: HL-2000-FHSA / HL-2000-FHSA-LL / HL-2000-FHSA-HP  
Document: 000-10000-070-02-201504

A HALMA COMPANY

## AMERICAS & WORLD HEADQUARTERS

---

**Phone:** +1 727-733-2447  
**Fax:** +1 727-733-3962

**Sales:** info@oceanoptics.com  
**Orders:** orders@oceanoptics.com  
**Support:** techsupport@oceanoptics.com

**Ocean Optics, Inc.**  
830 Douglas Ave.  
Dunedin, FL 34698  
USA

**Manufacturing & Logistics**  
4301 Metric Dr.  
Winter Park, FL 32792  
USA

## EUROPE, MIDDLE EAST & AFRICA

---

**Phone:** +31 26-319-0500  
**Fax:** +31 26-319-0505  
**Email:** info@oceanoptics.eu

Germany : +49 711-341696-0  
UK : +44 1865-811118  
France : +33 442-386-588

**Sales & Support**  
Geograaf 24  
6921 EW Duiven  
The Netherlands

**Manufacturing & Logistics**  
Maybachstrasse 11  
73760 Ostfildern  
Germany

## ASIA

---

**Phone:** +86 21-6295-6600  
**Fax:** +86 21-6295-6708  
**Email:** asiasales@oceanoptics.com

Japan & Korea: +82 10-8514-3797

**Ocean Optics Asia**  
666 Gubei Road  
Kirin Tower Suite 601B  
Changning District  
Shanghai  
PRC, 200336

---

**www.oceanoptics.com**

---

### **Copyright © 2006 Ocean Optics, Inc.**

All rights reserved. No part of this publication may be reproduced, stored in a retrieval system, or transmitted, by any means, electronic, mechanical, photocopying, recording, or otherwise, without written permission from Ocean Optics, Inc.

### **Trademarks**

All products and services herein are the trademarks, service marks, registered trademarks or registered service marks of their respective owners.

### **Limit of Liability**

Every effort has been made to make this manual as complete and as accurate as possible, but no warranty or fitness is implied. The information provided is on an "as is" basis. Ocean Optics, Inc. shall have neither liability nor responsibility to any person or entity with respect to any loss or damages arising from the information contained in this manual.

---

# Important Safety Notices

1. Do not remove or modify any installed safety device on this equipment. Doing so will void your warranty and create an unsafe operating environment.
2. Dangerous voltages are present in this device. There are NO user serviceable parts inside.
3. Only allow qualified personnel to service this unit.
4. Do not use the unit if it is damaged in any way. Contact your dealer for repair or replacement information.

## Warranty

Ocean Optics Germany GmbH warrants to the original user of this instrument that it shall be free of any defects resulting from faulty manufacture of this instrument for a period of 12 months from the original date of shipment.

**This instrument should not be used for any Clinical or Diagnostic purposes.** Data generated in these areas is not warranted in any way by Ocean Optics Germany GmbH. Any defects covered by this Warranty shall be corrected either by repair or by replacement, as determined by Ocean Optics Germany GmbH.

There are no warranties that extend beyond the description herein.

This Warranty is in lieu of, and excludes, any and all other warranties or representations expressed, implied, or statutory, including merchantability and fitness, as well as any and all other obligations or liabilities of Ocean Optics Germany GmbH including, but not limited to, special or consequential damages. No person, firm, or corporation is authorized to assume for Ocean Optics Germany GmbH. Any additional obligation or liability not expressed provided for herein except in writing duly executed by an officer of Ocean Optics Germany GmbH:

Ocean Optics Germany GmbH  
Maybachstraße 11  
D-73760 Ostfildern

Tel.: +49 (0)711 34 16 96-51 • Fax.: +49 (0)711 34 16 96-85  
e-mail: info@oceanoptics.com



---

# Table of Contents

About This Manual .....	iii
Document Purpose and Intended Audience.....	iii
What's New in this Document .....	iii
Document Summary.....	iii
Product-Related Documentation .....	iii
Upgrades .....	iii
<b>Chapter 1: Setup .....</b>	<b>5</b>
Overview.....	5
Unpacking the HL-2000-FHSA .....	5
Contents .....	6
Setting Up the HL-2000-FHSA Light Source .....	6
Enabling Automatic Shutter Control.....	7
Optimizing the Optical Power Output.....	8
Attenuating the Optical Power Output .....	9
HL-2000-FSHA Diagrams .....	10
<b>Chapter 2: HL-2000-FHSA Specifications .....</b>	<b>13</b>
Specifications .....	13
Pinout Information .....	14
Pinout Diagram.....	15
Parts List.....	15
<b>Appendix A: Bulb Replacement .....</b>	<b>17</b>
Overview.....	17
Replacing the Bulb .....	17
<b>Index .....</b>	<b>19</b>



---

# About This Manual

## Document Purpose and Intended Audience

This document provides you with an installation section to get your system up and running.

## What's New in this Document

This version of the *Halogen Light Source with Attenuator and TTL-Shutter HL-2000-FHSA / HL-2000-FHSA-LL / HL-2000-FHSA-HP Installation and Operation Manual* updates logo and the contact information, and the bulb replacement instructions

## Document Summary

Chapter	Description
Chapter 1: <a href="#">Setup</a>	Contains instructions for setting up the unit, enabling automatic shutter control, and optimizing and attenuating the optical power output.
Chapter 2: <a href="#">HL-2000-FHSA Specifications</a>	Contains operating environment specifications, as well as other physical details of the product.
Appendix A: <a href="#">Bulb Replacement</a>	Provides instructions for changing the bulb.

## Product-Related Documentation

You can access documentation for Ocean Optics products by visiting our website at <http://www.oceanoptics.com>. Select Support → Technical Documents, then choose the appropriate document from the available drop-down lists.

## Upgrades

Occasionally, you may find that you need Ocean Optics to make a change or an upgrade to your system. To facilitate these changes, you must first contact Customer Support and obtain a Return Merchandise Authorization (RMA) number. Please contact Ocean Optics for specific instructions when returning a product.





---

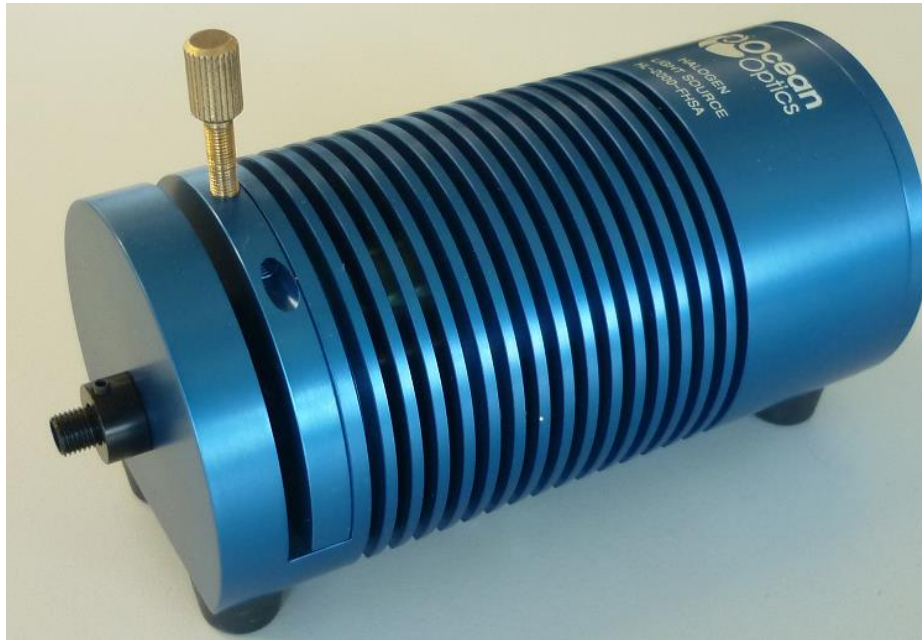
# Chapter 1

# Setup

## Overview

The following sections provide instructions on unpacking and setting up your HL-2000-FHSA Light Source.

Before using the HL-2000-FHSA for the first time, check for transport damage. Be sure to adhere to all warnings on the unit and in this manual.



## Unpacking the HL-2000-FHSA

### ► Procedure

1. Unpack your lamp assembly carefully. Dropping this instrument can cause permanent damage.

## 2: HL-2000 Specifications

---

2. Inspect the outside of the instrument and make sure that there is no damage. Do not use the instrument if damage is present. Contact your dealer for repair or replacement information, if necessary.
3. Use this instrument in a clean laboratory environment.

## Contents

Your HL-2000-FHSA package should contain the following:

- ❑ HL-2000 Light Source
- ❑ One IC-DB15-2 interface cable for shutter operation

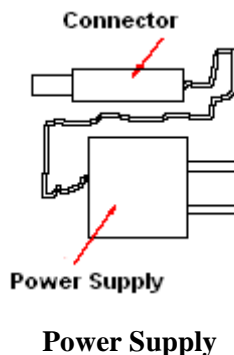
## Setting Up the HL-2000-FHSA Light Source

Use the following procedure and refer to [HL-2000-FSHA Diagrams](#) to set up your light source.

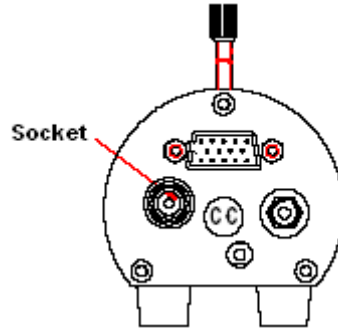
### ► Procedure

Perform the steps below to set up your HL-2000-FHSA Light Source:

1. Plug the power supply into a wall outlet.

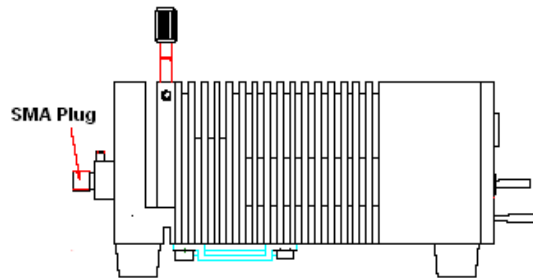


2. Plug the other end of the power supply cable into the socket of HL-2000-FHSA.



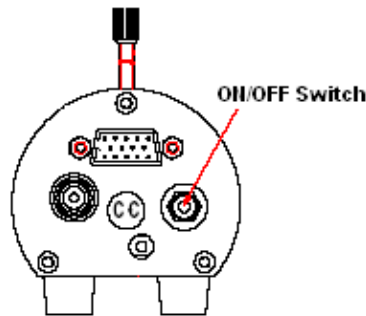
**HL-2000-FHSA Rear View**

3. Connect the SMA connector of your fiber optic cable to the SMA plugs.



**HL-2000-FHSA Right Side View**

4. Turn the Halogen lamp on using the power switch on the rear of the HL-2000-FHSA.



**HL-2000-FHSA Rear View**

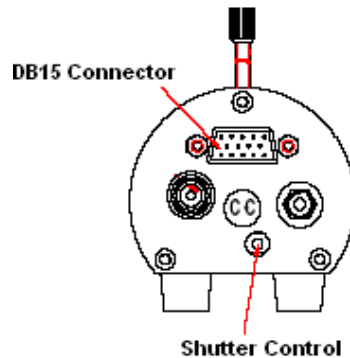
## Enabling Automatic Shutter Control

The HL-2000-FHSA is equipped with a 15-pin TTL port on the rear of the unit that allows an external source to control the shutter of the HL-2000-FHSA.

### ► Procedure

To enable automatic shutter control (TTL), perform the following steps:

1. Insert the supplied IC-DB-15-2 15 pin connector into the port on the rear of the HL-2000-FHSA.



**HL-2000-FHSA Rear View**

2. Move the shutter switch on the rear of the unit into the appropriate position to select the shutter mode.
  - Open – Shutter open
  - Close – Shutter closed
  - TTL – Controlled by external TTL (High = Open, Low = Closed)

---

**Note**

Use Ocean Optics software to save a dark measurement.

---

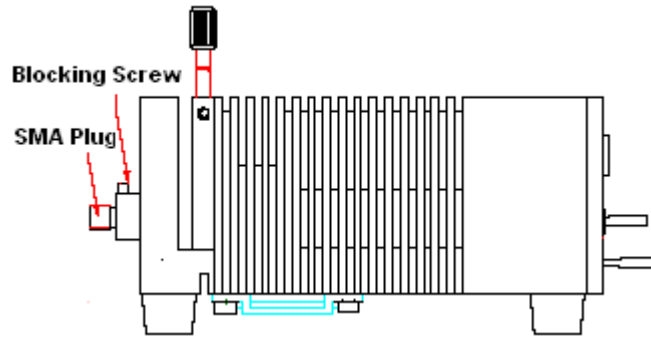
## Optimizing the Optical Power Output

The HL-2000-FHSA is adjusted at the factory to provide maximum power into a 200 $\mu$ m fiber. If a lower optical power is required or a different fiber (bundle) diameter is used, you can adjust the optical power of the unit. Refer to [HL-2000-FSHA Diagrams](#) while using the following procedure.

► **Procedure**

Follow the steps below to adjust the optical power of the HL-2000-FHSA Light Source:

1. Connect a fiber optic spectrometer or an optical power meter to a fiber, and then connect the other end of the fiber to the HL-2000-FHSA's SMA plug.
2. Loosen the blocking screw with the provided 1.3mm Allen wrench.



3. Shift the SMA socket to optimize the optical power of the HL-2000-FHSA.
4. Tighten the blocking screw to secure the SMA socket position.

## Attenuating the Optical Power Output

The HL-2000-FHSA allows you to attenuate the optical output of the unit by adjusting the attenuation screw.

### ► Procedure

To attenuate the optical output of the HL-2000-FHSA, follow the steps below:

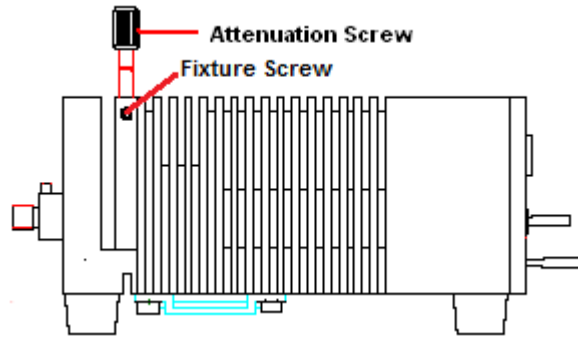
1. Ensure that the shutter switch on the rear of the unit is in the open position.
2. Loosen the fixture screw with the provided 2.0mm Allen wrench.
3. Turn the attenuation screw until the desired optical power is achieved.
4. Tighten the fixture screw when finished.
5. To attenuate the optical output of the HL-2000-FHSA, turn the attenuation-screw clockwise.

---

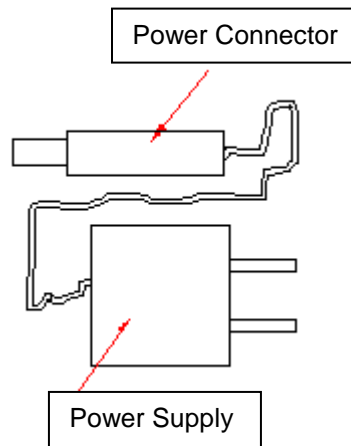
### Caution

**The attenuation screw can prevent the shutter from opening if turned clockwise too far. If the shutter is not working, turn the attenuation screw counterclockwise.**

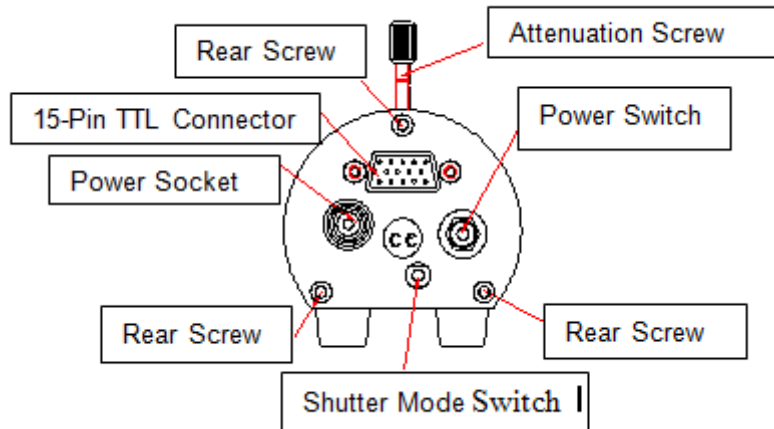
---



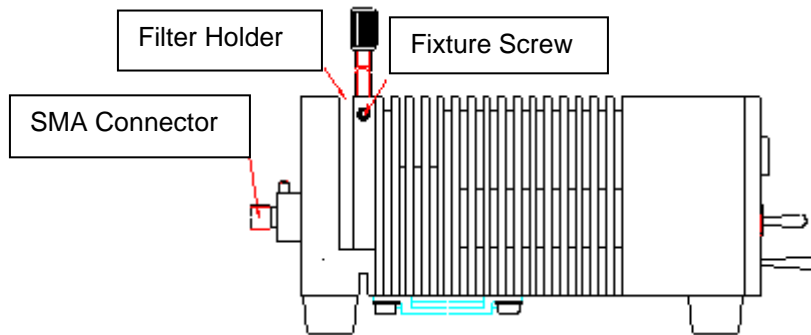
## HL-2000-FSHA Diagrams



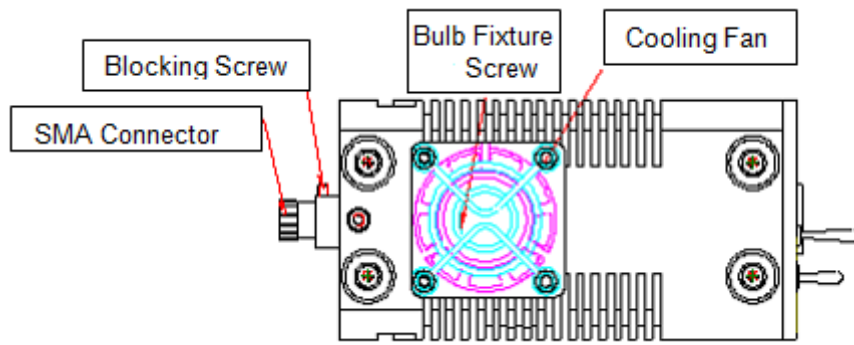
**HL-2000-FHSA Power Supply**



**HL-2000-FHSA Rear View**



**HL-2000-FHSA Side View**



**HL-2000-FHSA Bottom View**

**Note**

Do not completely remove the bulb fixture screw. It may be hard to reinsert it.



## Chapter 2

# HL-2000-FHSA Specifications

This section provides information on the operating environment, physical controls, and dimensions of the HL-2000-FHSA, as well as pinouts for the DB-15 connector. It also provides a parts list.

## Specifications

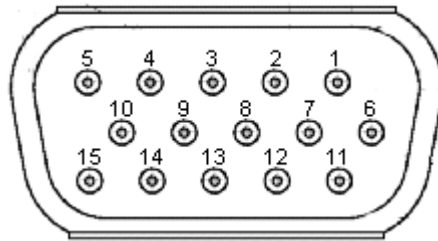
	HL-2000-FHSA	HL-2000-FHSA-LL	HL-2000-FHSA-HP
Wavelength range	360 nm – 2400 nm		
Stability	0.5 %		
Drift	<0.1% per hour		
Time to stabilize	Approximately 5 Minutes		
Output to bulb	5V DC / 1,435A	5V DC / 0,970A	24V DC / 1,67A
Bulb life time	1.500 h	10.000 h	2000 h
Characteristic	Focused		
Shutter	TTL max. 5Hz		
DB-15 Connector	PIN 13: TTL PIN 10: Ground		
Bulb color temperature	2.960K	2.800K	3.000K
Room temperature	5°C – 35°C		
Humidity	5 - 95% at 40°C		
Output	7W	7W	20W
Weight	Approximately 0.5 kg		
Size	58 x 59 x 140 mm		

# Pinout Information

The following table contains pinout information for the HL-2000-FHSA Light Source:

Pin	Description
1	na
2	na
3	na
4	na
5	na
6	na
7	na
8	na
9	na
10	Ground
11	na
12	na
13	TTL Signal – Shutter control
14	na
15	na
na = not applicable	

## Pinout Diagram



## Parts List

Spare Parts / Order Information	Catalog Number
Halogen light source with filter holder/shutter and attenuator	HL-2000-FHSA
Halogen light source, fan cooled, long life	HL-2000-FHSA-LL
Halogen light source High-Power with Attenuator and TTL-Shutter	HL-2000-FHSA-HP
Halogen spare bulb 2.960K/ 1.500 hrs	HL-2000-B
Halogen spare bulb 2.800K / 10.000 hrs	HL-2000-LL-B
Halogen spare bulb High-Power	HL-2000-HP-B



---

## Appendix A

# Bulb Replacement

## Overview

To order replacement bulbs for the HL-2000-FHSA, consult the [Parts List](#).

---

### WARNING

**Before replacing the bulb in the HL-2000-FHSA, disconnect the lamp from your power source and allow the unit to cool for at least twenty minutes, if necessary.**

---

## Replacing the Bulb

### ► Procedure

Refer to Figure 5 and perform the steps below to replace the bulb in the HL-2000-FHSA Light Source:

1. Unplug the power connector from the power socket on the HL-2000-FHSA.
2. Loosen the screws on the rear of the unit with the provided 2.5mm Allen wrench.
3. Remove the rear of the HL-2000-FHSA and remove the electronics board from the unit, taking particular care not to disconnect the fan wires.
4. Loosen the bulb fixture screw from the bottom of the unit with the provided 1.3mm Allen key.

---

### Note

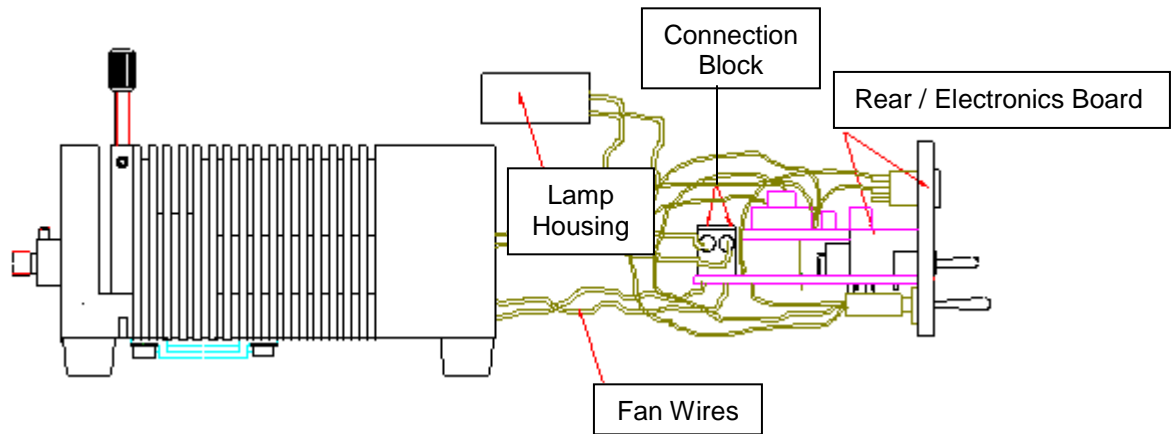
Do not completely remove the bulb fixture screw. It may be hard to reinsert it.

---

5. Remove the bulb from the HL-2000-FHSA.

## A: Bulb Replacement

6. Disconnect the wires from the connection block.
7. Replace the bulb and reconnect the wires to the connection block.
8. Slide the lamp into the housing and secure with the bulb fixture screw.
9. Slide the electronics board back into the HL-2000-FHSA, taking particular care to ensure that the wires do not come into contact with the fan blades.



**HL-2000-FHSA Bulb Replacement Diagram**

---

### Note

The bulb fixture screw is above the fan, behind the blades. Turn the blades, if necessary, to reach the screw.

---

---

# Index

## B

bulb  
  replacement, 17  
bulb replacement  
  diagram, 18

## D

diagrams, 10  
  bottom view, 12  
  bulb replacement, 18  
  pinout, 15  
  power supply, 10  
  rear view, 11  
  side view, 11  
document  
  audience, iii  
  purpose, iii  
  summary, iii

## O

optical power  
  attenuating output, 9  
  optimizing output, 8

## P

package contents, 6  
parts list, 15  
pinout  
  diagram, 15  
pinouts, 14  
product-related documentation, iii

## S

setup, 5  
shutter control, 7  
specifications, 13

## U

unpacking procedure, 5  
upgrades, iii

## W

warranty, A  
what's new, iii

