

PCR Sensor

Multispectral Sensor for Point-of-Care Testing

Point-of-care (POC) molecular diagnostics is transforming medicine by bringing sophisticated diagnostic testing to the patient, underscoring the need for compact optical detection technologies. The PCR Sensor fits the bill. This highly integrated multispectral sensor reduces the complexity, footprint and cost of POC instrumentation, collecting data only at the wavelength bands of most interest for the application. It allows optical designers ultimate flexibility in spectral detection, from the choice of optical filter bands to the number of channels, package type, and electronics.

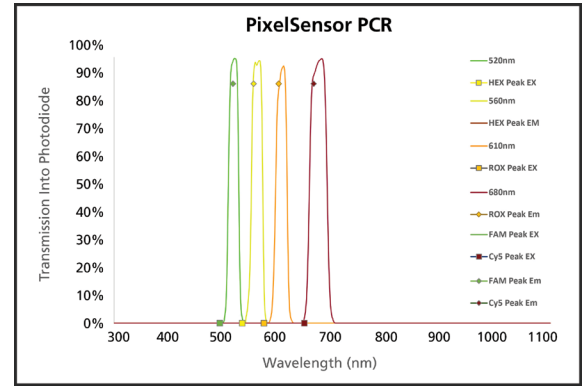


On-chip Coating Technology Maximizes Sensor Efficiency

Unlike most multiple-wavelength sensors, the PCR Sensor uses micro-patterned optical filters that are deposited at the wafer level onto the surface of active photodiodes, which are then diced and recombined in a two-dimensional array. The specific photodiodes are chosen to detect the desired set of spectral bands corresponding to a specific POC diagnostic test or assay chemistry. Up to 8 detector elements (channels) may be accommodated in the small 9 mm x 9 mm LCC package.

Key Features

- Compact, robust sensor for POC testing at patient bedside, medical facilities and mobile labs
- Ideal for quantitative polymerase chain reaction (qPCR) testing
- Up to 8 sensor arrays in a 9 mm x 9 mm footprint
- 20-pin LCC package for surface or socket mounting
- Evaluation kit with electronics board, software and sampling optics



Photodiode Performance Characteristics

Characteristic	Symbol	Test	Min.	Typical	Max.	Unit
Dark current	I_D	$V_R = 10V$		2	8	nA
Shunt resistance	R_{SH}	$V_R = 10mV$		100		MΩ
Junction capacity	C_J	$V_R = 0V, f=100kHz$ $V_R = 50V, f=100kHz$		6 0.6	7 0.7	pF
Spectral range	λ_{range}	Spot scan	400		1100	nm
Breakdown voltage	V_{BR}	$I = 10\mu A$		75		V
Noise equivalent power	NEP	$V_R = 5V @ \lambda = peak$		5×10^{-14}		W/√Hz
Response time	T_r	$RL = 50\Omega, V_R = 50V$		6.0		ns
Absolute maximum rating						
Reverse voltage	V_{BR}			75		V
Operating temperature	T_O		-40		+80	°C

LCC Sensor

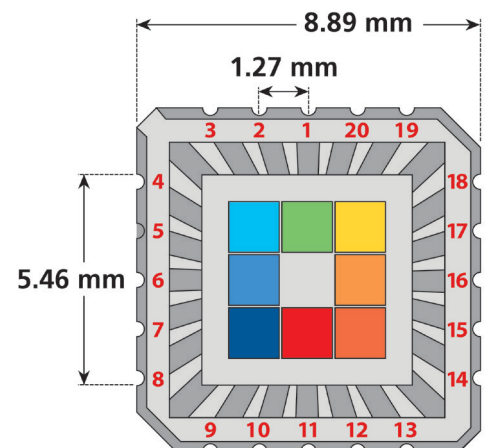
Spectral filters	Standard and custom 10-100 nm FWHM
Photodiodes	Si, 1.0 x 0.8 mm
Package	LCC 20

OEM Board

Integration time	1-1024 ms
Gain reference	20-5120 nA
Interface	USB 2.0
Protocol	HID-compliant
Software	Si, 1.0 x 0.8 mm
Package	Windows 32-/64-bit compatible

PCR Filter Usable Dyes

Channel	Fluorophore	Excitation (nm)	Emission (nm)
Green	FAM	494	518
	FITC (Fluorescein)	489	517
	Alexa Fluor 488	496	519
Yellow	JOE	520	548
	VIC	538	554
	HEX	535	556
	TET	521	536
	CAL Fluor Orange 560	538	559
Orange/Red	ROX	575	602
	Cy 3.5	578	591
	Alexa Flour 568	578	603
Deep Red	Cy5	649	666
	Quasar 670	647	670
	Alexa Flour 633	632	647



salvotechnologies.com · salvocoatings.com